

# Welding Flange with Tapped Holes Stainless Steel 304L

INFICON CF quality fittings are manufactured according to ISO 3669 and the latest TS/ ISO 3669-2 standard. INFICON Ultra high vacuum fittings are designed for applications down to  $1 \times 10^{-12}$  mbar and bakeout temperatures up to 400°C.



## BENEFITS

- World wide logistics
- Design and measures follow strictly international respected standards
- Surface finish, welds, material specifications and cleanliness meet or exceed high vacuum specifications
- 2011/65/EU RoHS compliant

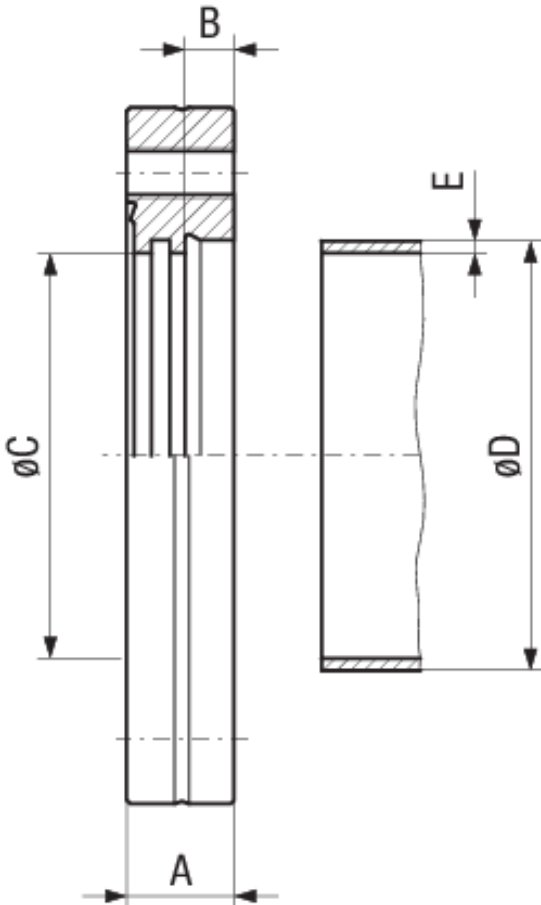
## ORDERING INFORMATION

Type	DN 16 CF	DN 40 CF	DN 63 CF	DN 100 CF
Welding flange with tapped	213-031		213-033	
Welding flange with tapped DN 100 CF-F				213-034
Welding flange with tapped DN 40 CF-F		213-032		

## SPECIFICATIONS

Type	DN 16 CF	DN 40 CF	DN 63 CF	DN 100 CF
Dimension A	7.5	13	17.5	20
Dimension B	3.3	7.5	8	9
Dimension C	17.2	39.5	66	104
Dimension D	18	40	70	108
Dimension E	1	1.5	2	2
Dimension F	6 x M4	6 x M6	8 x M8	16 x M8
Material:	Stainless steel 304L / 1.4306	Stainless steel 304L / 1.4306	Stainless steel 304L / 1.4306	Stainless steel 304L / 1.4306

## DIMENSIONS



[www.inficon.com](http://www.inficon.com) [reachus@inficon.com](mailto:reachus@inficon.com)

Due to our continuing program of product improvements, specifications are subject to change without notice. RateWatcher is a trademark of INFICON. All other trademarks are the property of their respective owners.

(2014-09) © 2014 INFICON