

PGD500

The INFICON Pirani Gauge Display PGD500 in combination with the INFICON Pirani Standard Gauge PSG5xx provides a cost effective pressure monitoring solution.

Although it is called Pirani Gauge Display the PGD500 also supports our PCG55x and MPG series vacuum gauges.



ADVANTAGES

- User selectable measurement unit (Pa, mbar or Torr)
- Compact bench top model design can be easily mounted in a panel or 19" rack
- 0 to 10 V output signal from the gauge is available for use in PLC or with a chart recorder
- One free adjustable set point
- CE certified

ORDER INFORMATION

Type	PGD500
PGD500 Pirani Gauge Display	398-802

SPECIFICATIONS

Type	PGD500	
Measurement channels	1 (PSG5xx, PCG5xx or MPG series)	
Display	LCD	
Range	Pa	$5 \times 10^{-7} \dots 1.5 \times 10^5$
Range	mbar	$5 \times 10^{-9} \dots 1500$
Range	Torr	$3.75 \times 10^{-9} \dots 1125$
Measurement rate	1/s	30
Measurement unit (selectable)	Pa, mbar, Torr	
Setpoint		
Setpoint relay	1	
Adjustment range (depending on gauge)	$1 \times 10^{-8} \dots 500$	
Hysteresis	$\geq 10\%$ of measurement value	
Relay contact	floating changeover contact	
Connector	D-Sub, 9-pole, male	
Setpoint		
Contact rating	V (ac)	50
Setpoint		
Contact rating	A (ac)	5
Analog output	V	0 ... 10.3, sensor output signal
Power		
Supply	V (ac)	100 ... 240
Power		
Frequency	Hz	50 ... 60
Power		
Consumption	VA	≤ 30
Temperature		
Operation (ambiance)	$^{\circ}\text{C}$	+5 ... +50
Storage	$^{\circ}\text{C}$	-20 ... 60
Relative humidity	$\leq 80\%$ up to +31 $^{\circ}\text{C}$, decreasing to 50% at +40 $^{\circ}\text{C}$	
Degree of protection	IP20	
Weight	kg	0.85

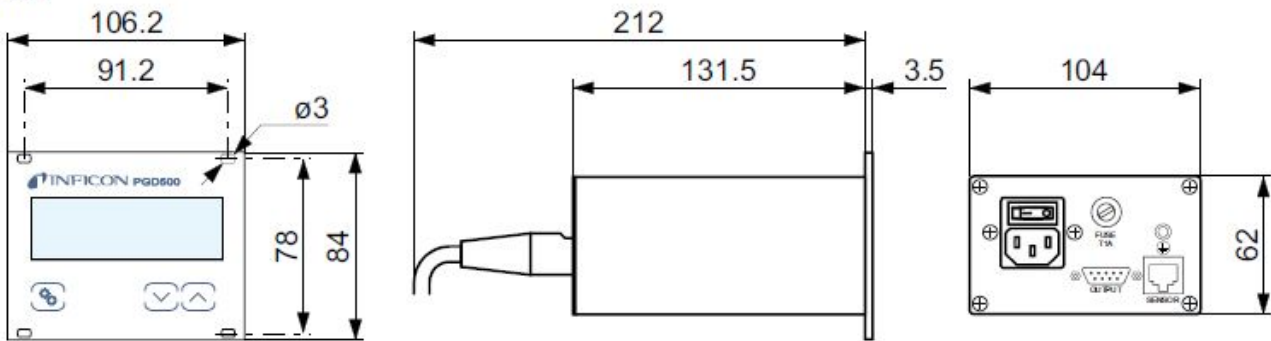
ACCESSORIES

	PGD500
Cable 1.3m/4.3ft, a, FCC_FCC, Cont	398-498
Centering ring with filter DN 16 KF	211-090
Rack mount front-Adapter 2HE/ 3HE	398-499

DIMENSIONS

DIMENSIONS

[mm]



www.inficon.com reachus@inficon.com

Due to our continuing program of product improvements, specifications are subject to change without notice. RateWatcher is a trademark of INFICON. All other trademarks are the property of their respective owners.

(2021-02) © 2021 INFICON