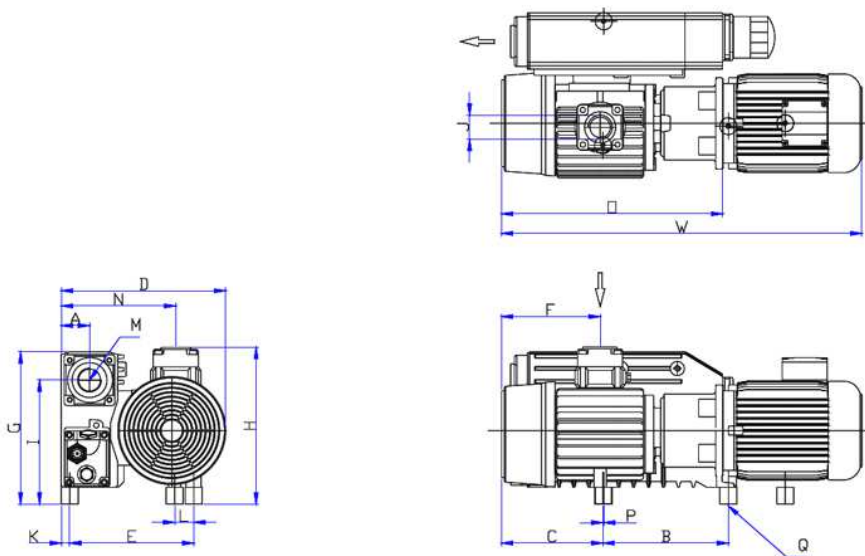
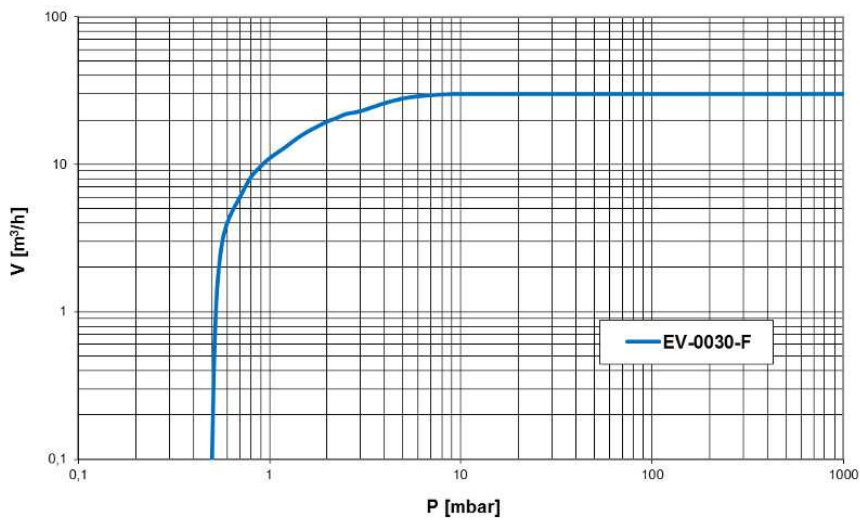


**Pumping speed curve**



| Dimensions | W   | D   | H   | A  | B   | C   | E   | F   | G   | I   | J     | K  | L  | M     | N   | O   | P   | Q     |
|------------|-----|-----|-----|----|-----|-----|-----|-----|-----|-----|-------|----|----|-------|-----|-----|-----|-------|
| EV-0030F   | 590 | 290 | 280 | 50 | 187 | 155 | 181 | 150 | 270 | 220 | G 1¼" | 15 | 39 | G 1¼" | 203 | 342 | 1.5 | 3x M8 |

## TYPE EV-0030F

| Technical Data           |                   |          | TYPE EV-0030F |       |
|--------------------------|-------------------|----------|---------------|-------|
|                          |                   |          | 50 Hz         | 60 Hz |
| Nominal displacement     | m <sup>3</sup> /h | 30       | 36            |       |
| Ultimate pressure        | mbar              | 0,5      | 0,5           |       |
| Motor power              | kW                | 1,1      | 1,1           |       |
| Nominal speed            | rpm               | 1450     | 1740          |       |
| Noise level              | dB(A)             | 64       | 67            |       |
| Operating temperature    | °C                | 76       | 76            |       |
| Water vapor tolerance    | mbar              | 40       | 40            |       |
| Water vapor capacity     | l/h               | 0,7      | 0,9           |       |
| Oil capacity             | ltr               | 1        | 1             |       |
| Weight                   | kg                | 47       | 47            |       |
| Admissible ambient temp. | °C                | 10 to 40 | 10 to 40      |       |
| Connection               | Inlet             | G(BSP)   | 1¼"           | 1¼"   |
|                          | Outlet            | G(BSP)   | 1¼"           | 1¼"   |

| Ordering Information   |  | TYPE EV-0030F |        |
|--|--|---------------|--------|
|  |  | 50 Hz         | 60 Hz  |
| <b>Single phase motor</b><br>230V, 50/60 Hz                      |  | 104000        | 104000 |
| <b>Three phase motor</b><br>400V, 50Hz (IE2)<br>400V, 60Hz (IE2) |  | 104001        | 104002 |
| Other Voltages/Frequencies                                       |  | Upon request  |        |
| Filling with special oil   |  | Upon request  |        |
| Exhaust filter cartridge   |  | 06120B        |        |
| Service kit  |  | 06499         |        |
| Overhaul kit   |  | 06500         |        |
| Pump module  |  | 06900         |        |
| Inlet dust filter, paper cartridge                               |  | 20800         |        |