

Centering Ring with Throttle

INFICON ISO-KF fittings are manufactured according to ISO 2861/1, DIN 28403 and Pneurop 6606. Our quality fittings are the standard components for all vacuum and high vacuum applications. The high quality INFICON components are designed and tested for leak rates less than 1×10^{-9} mbar l/s.



BENEFITS

- Competitively priced
- World wide logistics
- Design and measures follow strictly international respected standards
- 2011/65/EU RoHS compliant

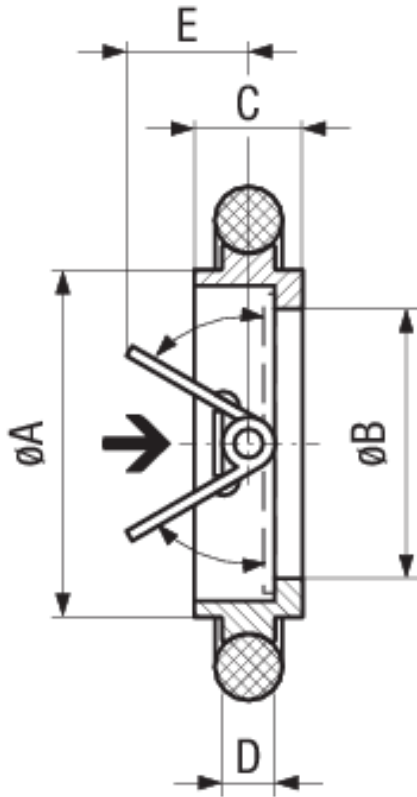
ORDER INFORMATION

Type	DN 16 ISO-KF	DN 25 ISO-KF	DN 40 ISO-KF	DN 50 ISO-KF
Centering Ring w. throttle DN 16 ISO-KF	211-622			
Centering Ring w. throttle DN 25 ISO-KF		211-623		
Centering Ring w. throttle DN 40 ISO-KF			211-624	
Centering Ring w. throttle DN 50 ISO-KF				211-625

SPECIFICATIONS

Type	DN 16 ISO-KF	DN 25 ISO-KF	DN 40 ISO-KF	DN 50 ISO-KF
Dimension A	17	26	41	52
Dimension B	13	18	30	42
Dimension C	8	8	8	8
Dimension D	3.9	3.9	3.9	3.9
Dimension E	6.2	9	14.3	19.9
Ring:	Aluminum 6082	Aluminum 6082	Aluminum 6082	Aluminum 6082
Inner Parts:	Stainless Steel 304/1.4301 and 303/1.4305	Stainless Steel 304/1.4301 and 303/1.4305	Stainless Steel 304/1.4301 and 303/1.4305	Stainless Steel 304/1.4301 and 303/1.4305
Seal:	FPM	FPM	FPM	FPM

DIMENSIONS



➔ Recommended gas flow direction



www.inficon.com reachus@inficon.com

Due to our continuing program of product improvements, specifications are subject to change without notice. RateWatcher is a trademark of INFICON. All other trademarks are the property of their respective owners.

(2015-08) © 2015 INFICON